

COUPLERTEC™

ELECTRONIC RUSTPROOFING

The World's Best PROTECTION From RUST!



AUTOMOTIVE SYSTEMS CAPACITIVE COUPLER LAYOUT DIAGRAMS

MODELS: CT2, CT4 & CT6

About this Document

This Document is to be used in conjunction with our Product Installation Guides for Models CT2, CT4 & CT6. Our Installation Guides can be found at: www.couplertec.com.au/installation/

This Document is not intended to be used for Product Selection. For product selection visit: www.couplertec.com.au/find-your-couplertec-system/

How to use this Guide

1. Select your Vehicles Body Type from the list below and go to the relevant Page number.

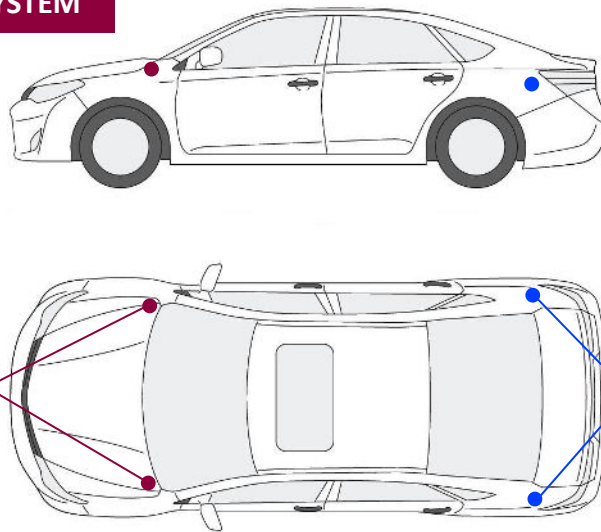
| | |
|--|--------|
| Motor Car (Hatchback, Sedan & Wagon) | Page 3 |
| Van | Page 4 |
| Wagon 4x4 / SUV | Page 5 |
| Single Cab Chassis (Tray Back) | Page 6 |
| Dual Cab Chassis (Tray Back) | Page 7 |
| Single Cab Chassis (Style Side) | Page 8 |
| Dual Cab Chassis (Style Side) | Page 9 |

2. When you are on the relevant Page number. Select your Model of System (e.g., CT4)
3. Look at the Vehicle Diagram for the recommended Capacitive Coupler Locations.

Motor Car (Hatchback, Sedan & Wagon)

CT2 STANDARD SYSTEM

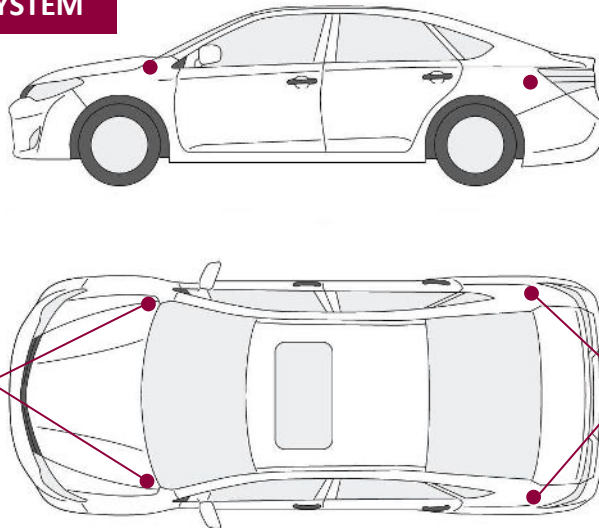
Locate 2 x
Capacitive Couplers
on either the Inner
Front Guards,
Firewall, or Wheel
Arches.
1 x Left Side
1 x Right Side



Alternative Option
for cars with
Batteries located in
the boot (trunk).
Locate 2 x
Capacitive Couplers
within the boot
compartment on
the rear inner
guards.
1 x Left Side
1 x Right Side

CT4 HEAVY DUTY SYSTEM

Locate 2 x
Capacitive Couplers
on either the Inner
Front Guards,
Firewall, or Wheel
Arch.
1 x Left Side
1 x Right Side

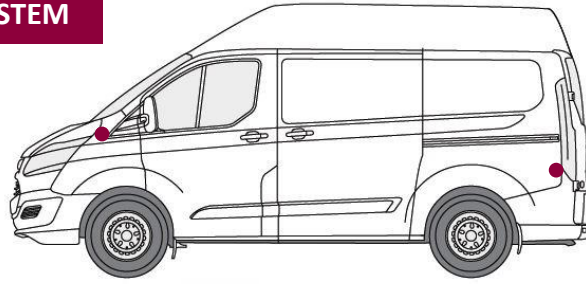


Locate 2 x
Capacitive Couplers
within the boot
compartment on
the rear inner
guards.
1 x Left Side
1 x Right Side

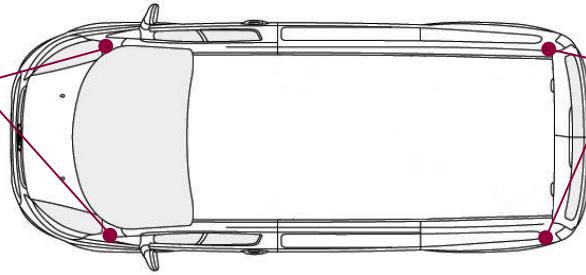
Van

CT4 HEAVY DUTY SYSTEM

Locate 2 x Capacitive Couplers on either the Inner Front Guards or Firewall.
1 x Left Side
1 x Right Side

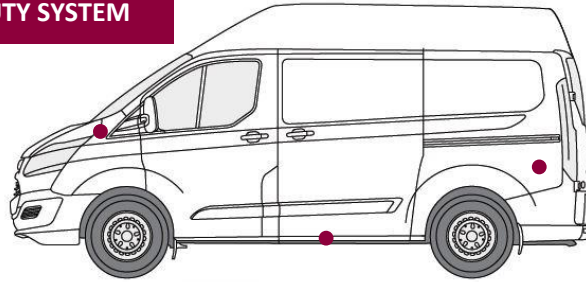


Locate 2 x Capacitive Couplers on the Inner Rear Guards.
1 x Left Side
1 x Right Side

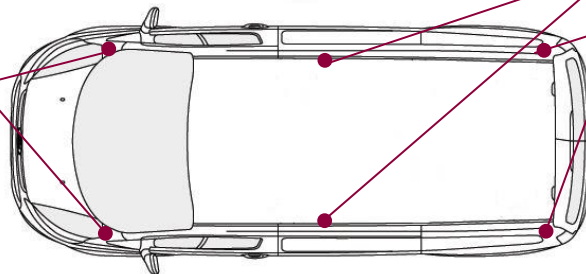


CT6 EXTREME HEAVY DUTY SYSTEM

Locate 2 x Capacitive Couplers on either the Inner Front Guards or Firewall.
1 x Left Side
1 x Right Side



Locate 2 x Capacitive Couplers on the floor pan in the middle of the Van.
1 x Left Side
1 x Right Side

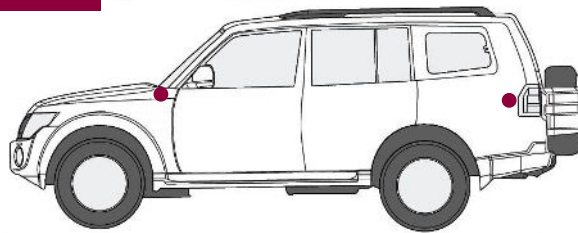


Locate 2 x Capacitive Couplers on the Inner Rear Guards.
1 x Left Side
1 x Right Side

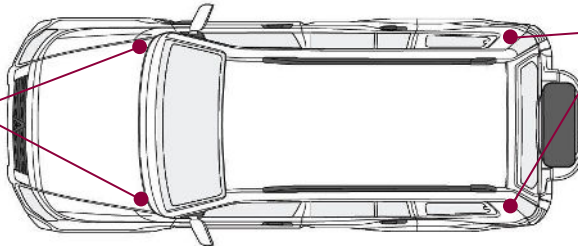
Wagon 4x4 / SUV

CT4 HEAVY DUTY SYSTEM

Locate 2 x Capacitive Couplers on either the Inner Front Guards, Firewall, or Wheel Arches.
1 x Left Side
1 x Right Side

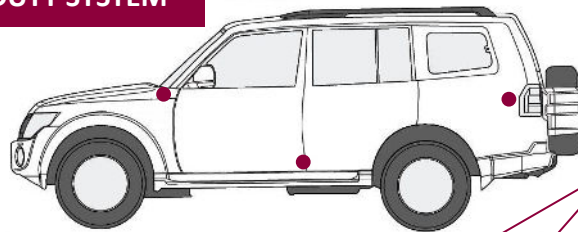


Locate 2 x Capacitive Couplers on the Inside of the Rear Quarter Panels.
1 x Left Side
1 x Right Side

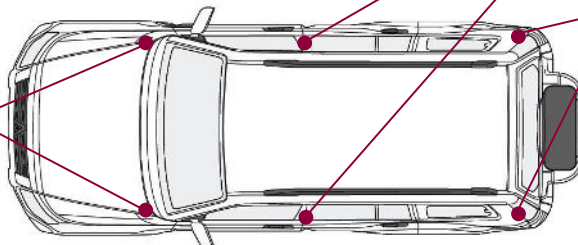


CT6 EXTREME HEAVY DUTY SYSTEM

Locate 2 x Capacitive Couplers on either the Inner Front Guards, Firewall, or Wheel Arches.
1 x Left Side
1 x Right Side



Locate 2 x Capacitive Couplers on either the Floor Pans under the Front Seats, or on the Door Pillars.
1 x Left Side
1 x Right Side

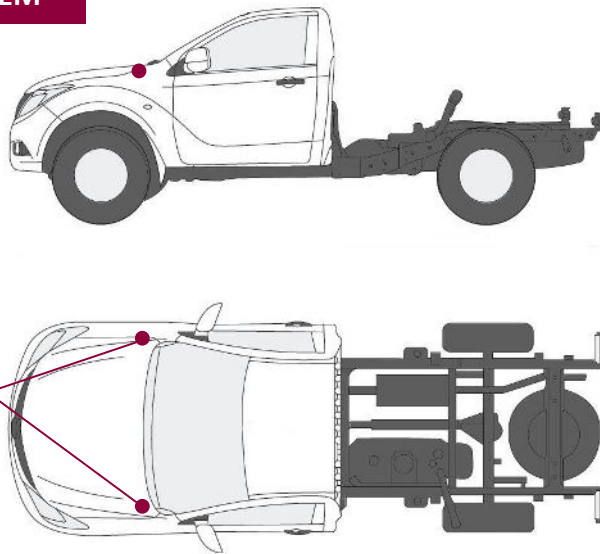


Locate 2 x Capacitive Couplers on the inside of the Rear Quarter Panels.
1 x Left Side
1 x Right Side

Single Cab Chassis (Tray Back)

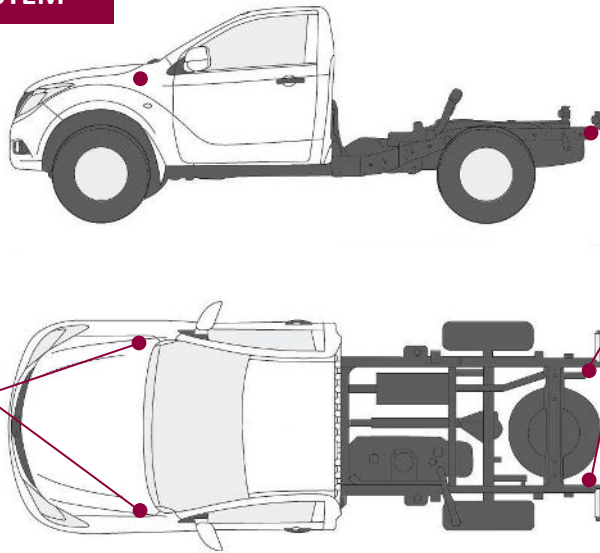
CT2 STANDARD SYSTEM

Locate 2 x Capacitive Couplers on either the Inner Front Guards, Firewall or Wheel Arches.
1 x Left Side
1 x Right Side

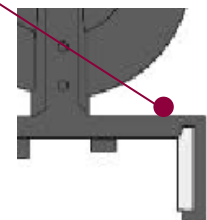


CT4 HEAVY DUTY SYSTEM

Locate 2 x Capacitive Couplers on either the Inner Front Guards, Firewall or Wheel Arches.
1 x Left Side
1 x Right Side

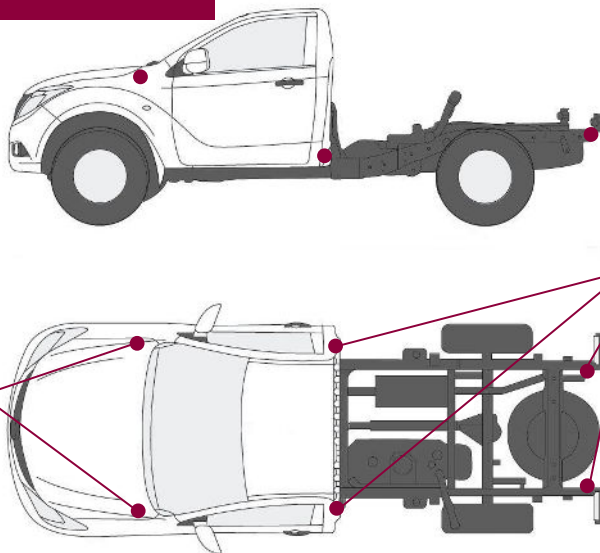


Locate 2 x Capacitive Couplers on the Inner side of the Chassis Rails.
1 x Left Side
1 x Right Side



CT6 EXTREME HEAVY DUTY SYSTEM

Locate 2 x Capacitive Couplers on either the Inner Front Guards, Firewall or Wheel Arches.
1 x Left Side
1 x Right Side



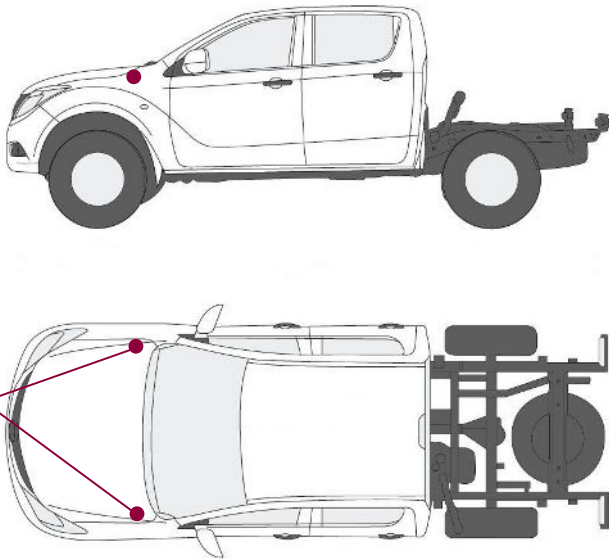
Locate 2 x Capacitive Couplers on the inside Wall of the Cabin.
1 x Left Side
1 x Right Side

Locate 2 x Capacitive Couplers on the Inner side of the Chassis Rails.
1 x Left Side
1 x Right Side

Dual Cab Chassis (Tray Back)

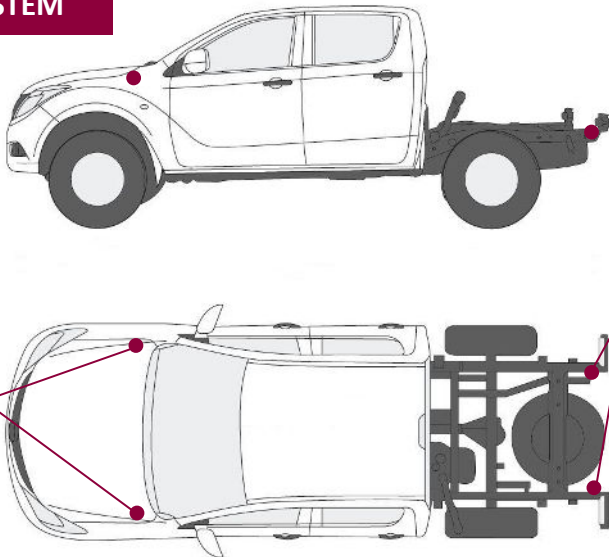
CT2 STANDARD

Locate 2 x Capacitive Couplers on either the Inner Front Guards, Firewall or Wheel Arches.
 1 x Left Side
 1 x Right Side

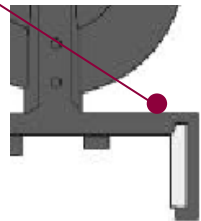


CT4 HEAVY DUTY SYSTEM

Locate 2 x Capacitive Couplers on either the Inner Front Guards, Firewall or Wheel Arches.
 1 x Left Side
 1 x Right Side

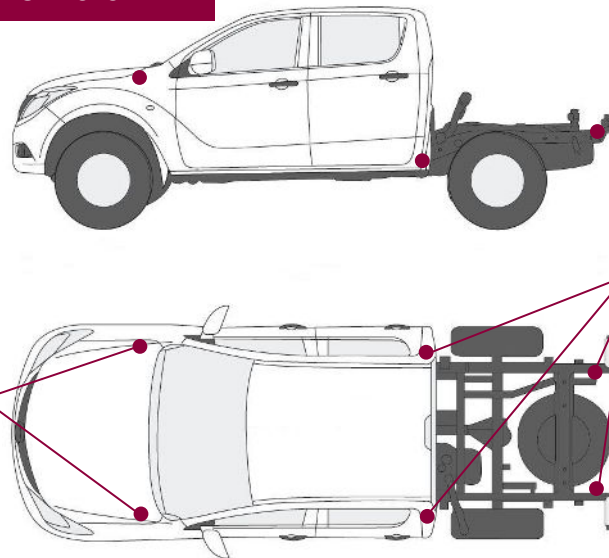


Locate 2 x Capacitive Couplers on the Inner side of the Chassis Rails.
 1 x Left Side
 1 x Right Side



CT6 EXTREME HEAVY DUTY SYSTEM

Locate 2 x Capacitive Couplers on either the Inner Front Guards, Firewall or Wheel Arches.
 1 x Left Side
 1 x Right Side



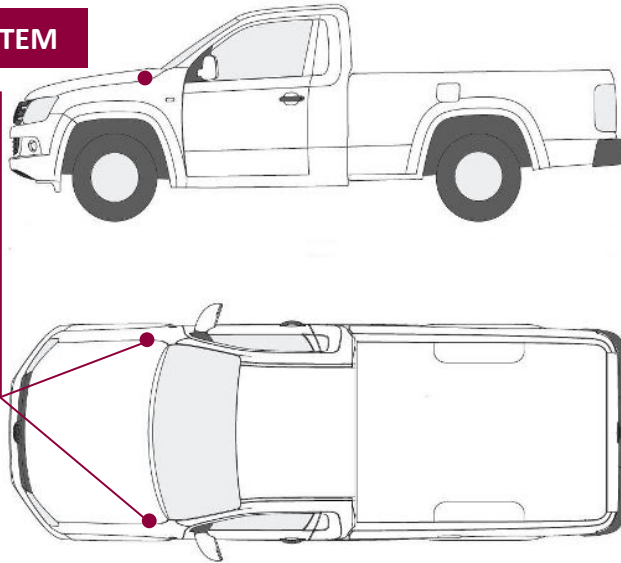
Locate 2 x Capacitive Couplers on the inside Wall of the Cabin.
 1 x Left Side
 1 x Right Side

Locate 2 x Capacitive Couplers on the Inner side of the Chassis Rails.
 1 x Left Side
 1 x Right Side

Single Cab Utility (Style Side)

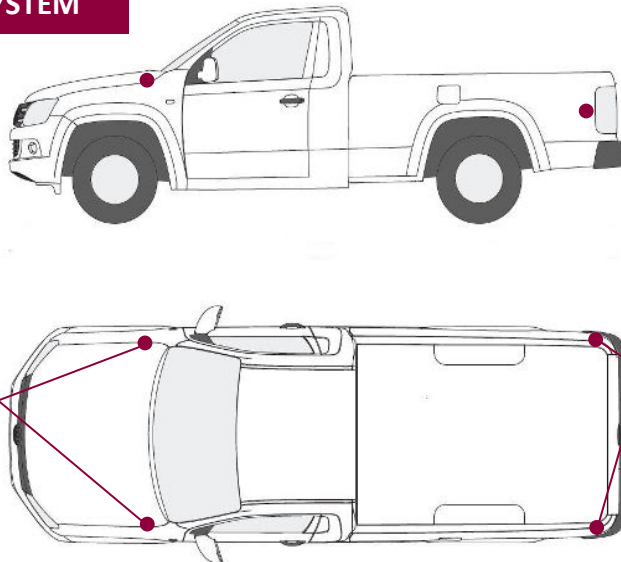
CT2 STANDARD SYSTEM

Locate 2 x Capacitive Couplers on either the Inner Front Guards, Firewall, or Wheel Arches.
1 x Left Side
1 x Right Side



CT4 HEAVY DUTY SYSTEM

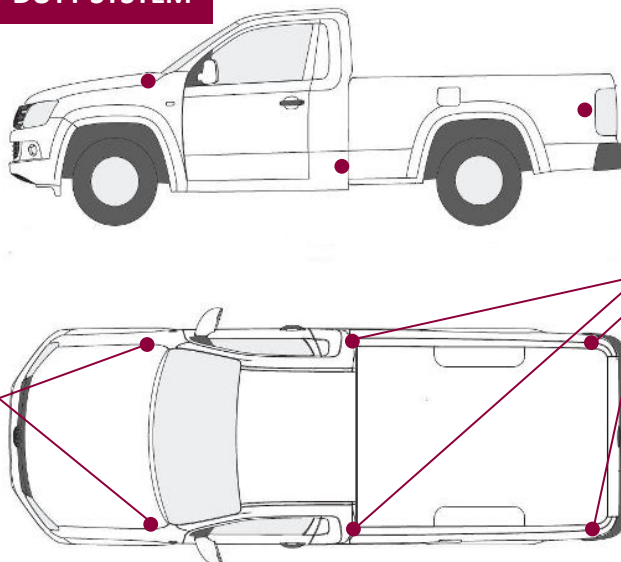
Locate 2 x Capacitive Couplers on either the Inner Front Guards, Firewall, or Wheel Arches.
1 x Left Side
1 x Right Side



Locate 2 x Capacitive Couplers on the Inside of the Rear Guard.
1 x Left Side
1 x Right Side

CT6 EXTREME HEAVY DUTY SYSTEM

Locate 2 x Capacitive Couplers on either the Inner Front Guards, Firewall, or Wheel Arches.
1 x Left Side
1 x Right Side



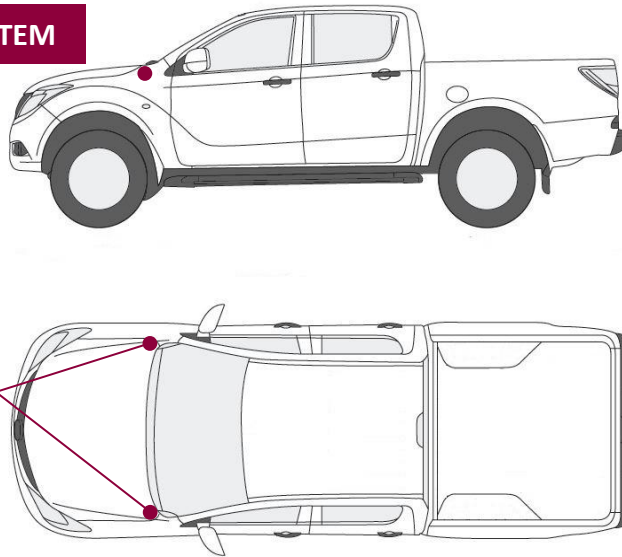
Locate 2 x Capacitive Couplers on the inside Wall of the Cabin.
1 x Left Side
1 x Right Side

Locate 2 x Capacitive Couplers on the Inside of the Rear Guard.
1 x Left Side
1 x Right Side

Dual Cab Utility (Style Side)

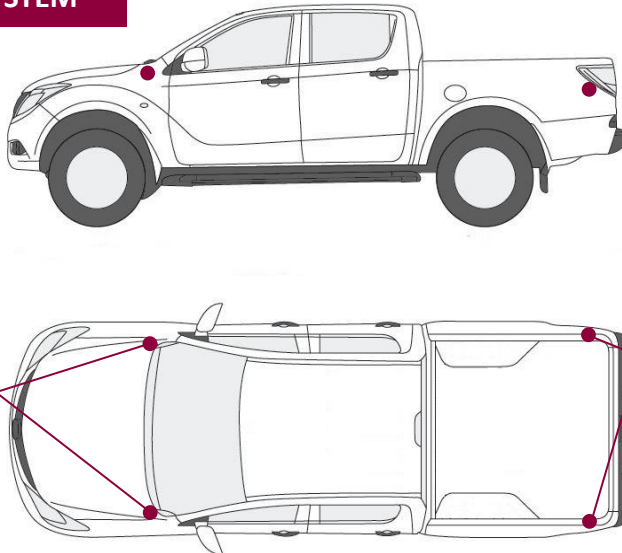
CT2 STANDARD SYSTEM

Locate 2 x Capacitive Couplers on either the Inner Front Guards, Firewall or Wheel Arches.
1 x Left Side
1 x Right Side



CT4 HEAVY DUTY SYSTEM

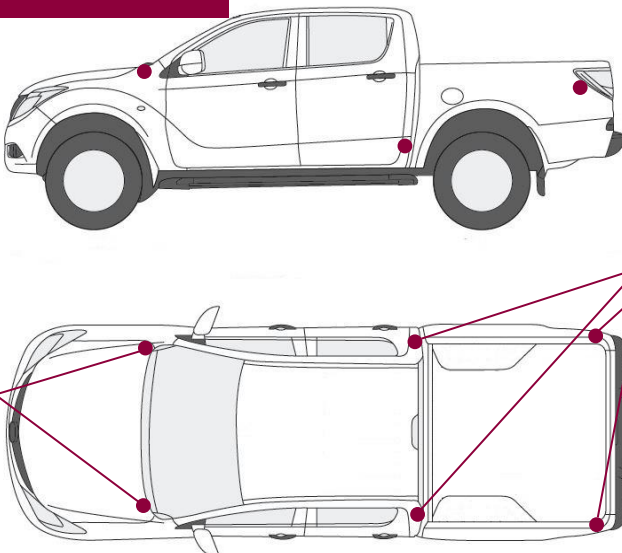
Locate 2 x Capacitive Couplers on either the Inner Front Guards, Firewall or Wheel Arches.
1 x Left Side
1 x Right Side



Locate Capacitive Couplers on the Inside of the Rear Guards.
1 x Left Side
1 x Right Side

CT6 EXTREME HEAVY DUTY SYSTEM

Locate 2 x Capacitive Couplers on either the Inner Front Guards, Firewall or Wheel Arches.
1 x Left Side
1 x Right Side



Locate 2 x Capacitive Couplers on the inside Wall of the Cabin.
1 x Left Side
1 x Right Side

Locate 2 x Capacitive Couplers on the Inside of the Rear Guards.
1 x Left Side
1 x Right Side